

TWIN ROD

Cylinders



Find out our
key products



Solution for most applications



Easy and intuitive choice



Excellent value for money



Wide availability



Fast delivery



Features and certifications

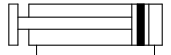
Series of twin rod cylinders, available in bores from Ø 6 to 32, double acting, magnetic, with self-lubricating bushings or with spherical bearings. These cylinders are of double rod with double thrust force and smooth and precise operation. Supplied as standard in compliance with Reach and RoHS directives.



Type GSB Ø 6 ÷ 32 from page 1.24.20



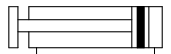
Twin rod cylinders, available in bores from Ø 6 to 32, double acting, magnetic, with self-lubricating bushings . These cylinders are double rod with double thrust force and smooth and precise operation. The extruded body is machined with grooves allowing the mounting of magnetic reed switches directly, not protruding beyond the profile of the cylinder, and elastic dampers on front and end covers.



Type GSS Ø 6 ÷ 32 from page 1.24.20



Twin rod cylinders, available in bores from Ø 6 to 32, double acting, magnetic, with spherical bearings. These cylinders are double rod with double thrust force and smooth and precise operation. The extruded body is machined with grooves allowing the mounting of magnetic reed switches directly, not protruding beyond the profile of the cylinder, and elastic dampers on front and end covers.



Options

Description	Symbol	Suffix
Special versions on request		/S

Code key

Bore	/	Stroke	Type	/	Special version
32	/	50	GSB	/	

Ø 6, 10, 16, 20, 25, 32

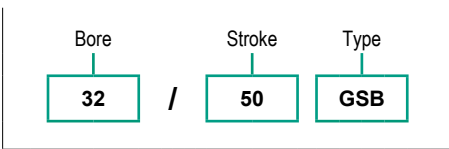
See table on page 1.24.20

GSB
 Double acting
 Magnetic
 With self-lubricating bushings

GSS
 Double acting
 Magnetic
 With spherical bearings

S

How to order

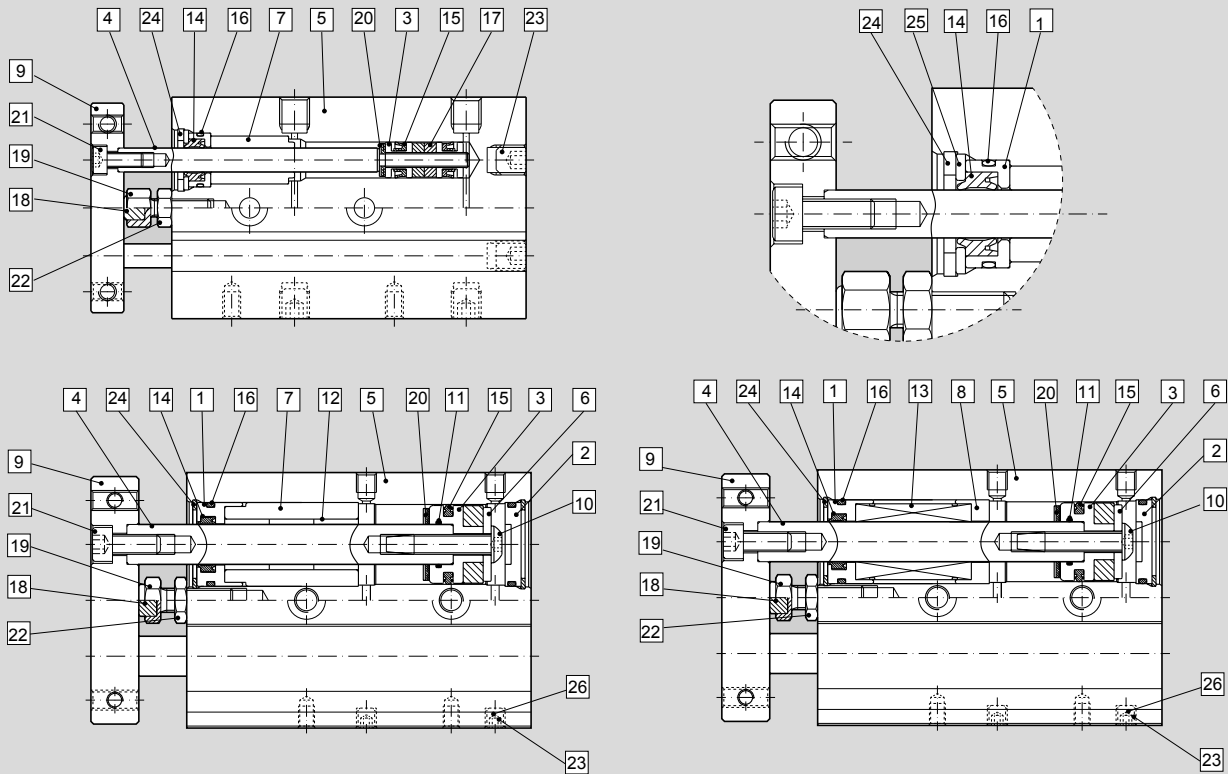


Notes

For further information on options see the table above.

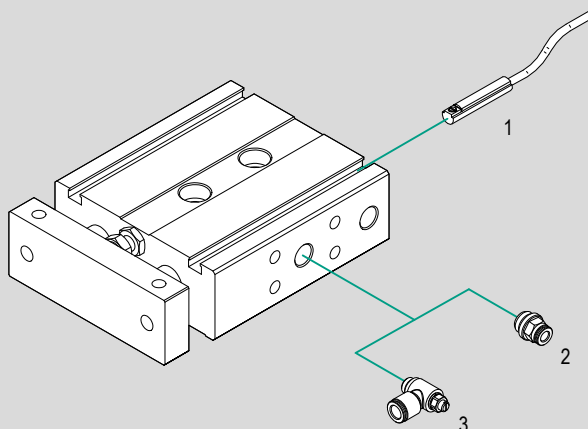
Standard materials

Type: **GSB, GSS**



Position	Description	Materials					
		GSB			GSS		
		Ø 6	Ø 10	Ø 16 ÷ 32	Ø 6	Ø 10	Ø 16 ÷ 32
1	Front head cover	Hard anodised aluminium					
2	Rear covers	Hard anodised aluminium					
3	Piston	Brass	Aluminium		Brass	Aluminium	
4	Piston rod	Stainless Steel		Carbon steel	Special steel		
5	Cylinder barrel	Hard anodised aluminium					
6	Magnet holder	Stainless Steel					
7	Support	Brass	Aluminium		Brass	Aluminium	
8	Support	Brass	Aluminium		Brass	Aluminium	
9	Guide plate	Hard anodised aluminium					
10	Nut	Nickel-plated carbon steel					
11	O-ring	NBR					
12	Oilless bearing	Oil-impregnated sintered alloy					
13	Linear bearing	Special steel					
14	Rod packing	Polyurethane (PU)					
15	Piston packing	NBR					
16	Cylinder gasket	NBR					
17	Magnet	Magnetic material					
18	Elastic dampers	NBR					
19	Adjusting screw	Stainless Steel					
20	Rubber lining	NBR					
21	Screw	Nickel-plated carbon steel					
22	Lock nut	Nickel-plated carbon steel					
23	Seat screw	Carbon steel					
24	Retaining ring	Nickel-plated carbon steel					
25	Steel pad	Stainless Steel					
26	Port gasket	NBR					

Accessories



N.	Cylinder bore	Item	Description	Compliance	Matching		Code page	Data sheet page
					GSB	GSS		
1	Ø 6 ÷ 32	ASV..	Magnetic reed switch T groove	-	●	●	1.24.90	1.110.10
2	Ø 6 ÷ 32	R..	Push-in fittings		●	●	4.2.1	
3	Ø 6 ÷ 32	V..C	Flow controls, for cylinders		●	●	4.94.1	

Key

● matching accessory; - not matching accessory

Twin Rod Cylinders

Series GSB - GSS

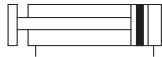


1 - CYLINDERS

Main features

6 ÷ 32

Bores Ø



Double acting
Magnetic
With self-lubricating
bushings

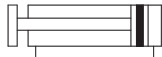
GSB

Type



6 ÷ 32

Bores Ø



Double acting
Magnetic
With spherical
bearings

GSS

Type



Technical data

Bore Ø mm	6	10	16	20	25	32
Fluid	Filtered compressed air with or without lubrication. Lubrication, if started, must be continued.					
Pressure range	1,5 ÷ 7 bar	1 ÷ 7 bar		0,5 ÷ 7 bar		
Temperature range	-10°C ÷ +60°C					
Speed	30 ÷ 300 mm/s		30 ÷ 500 mm/s			
Port	M5				1/8"	
Strokes*	10 ÷ 50 mm		10 ÷ 150 mm			
Adjustable stroke	0 ÷ -5 mm					

Standard strokes

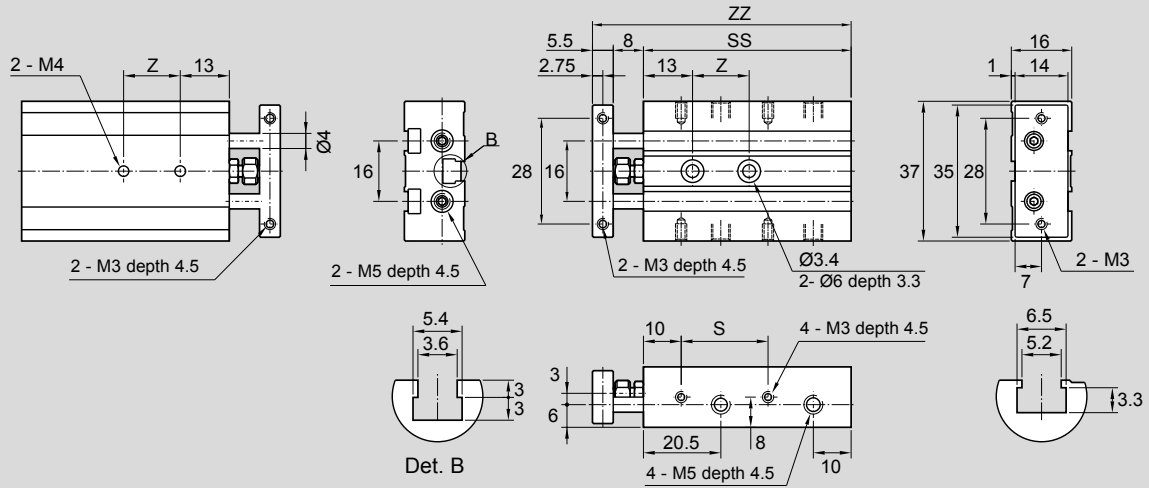
Stroke mm	GSB Bore Ø mm					
	6	10	16	20	25	32
10						
15						
20						
25						
30						
35						
40						
45						
50						
60						
70						
75						
80						
90						
100						
125						
150						

Stroke mm	GSS Bore Ø mm					
	6	10	16	20	25	32
10						
15						
20						
25						
30						
35						
40						
45						
50						
60						
70						
75						
80						
90						
100						
125						
150						

Key
 Standard stroke

Dimensions

Type: **GSB, GSS**
Ø 6

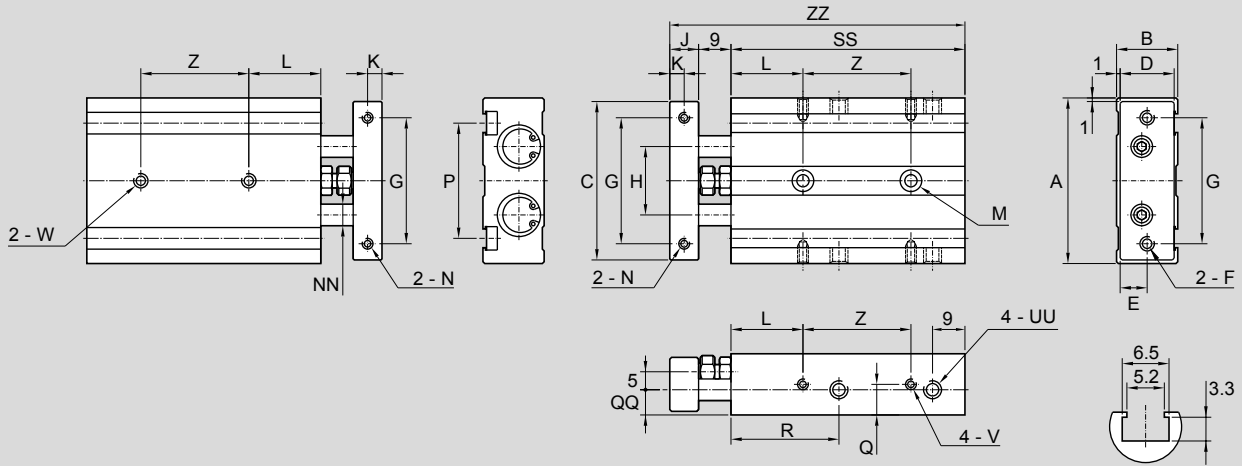


1 - CYLINDERS

Ø (mm)	S					Z					SS					ZZ				
	stroke 10	stroke 20	stroke 30	stroke 40	stroke 50	stroke 10	stroke 20	stroke 30	stroke 40	stroke 50	stroke 10	stroke 20	stroke 30	stroke 40	stroke 50	stroke 10	stroke 20	stroke 30	stroke 40	stroke 50
6	23	33	43	53	63	15	20	25	30	35	55	65	75	85	95	68,5	78,5	88,5	98,5	108,5

Dimensions

Type: **GSB, GSS**
Ø 10 ÷ 16



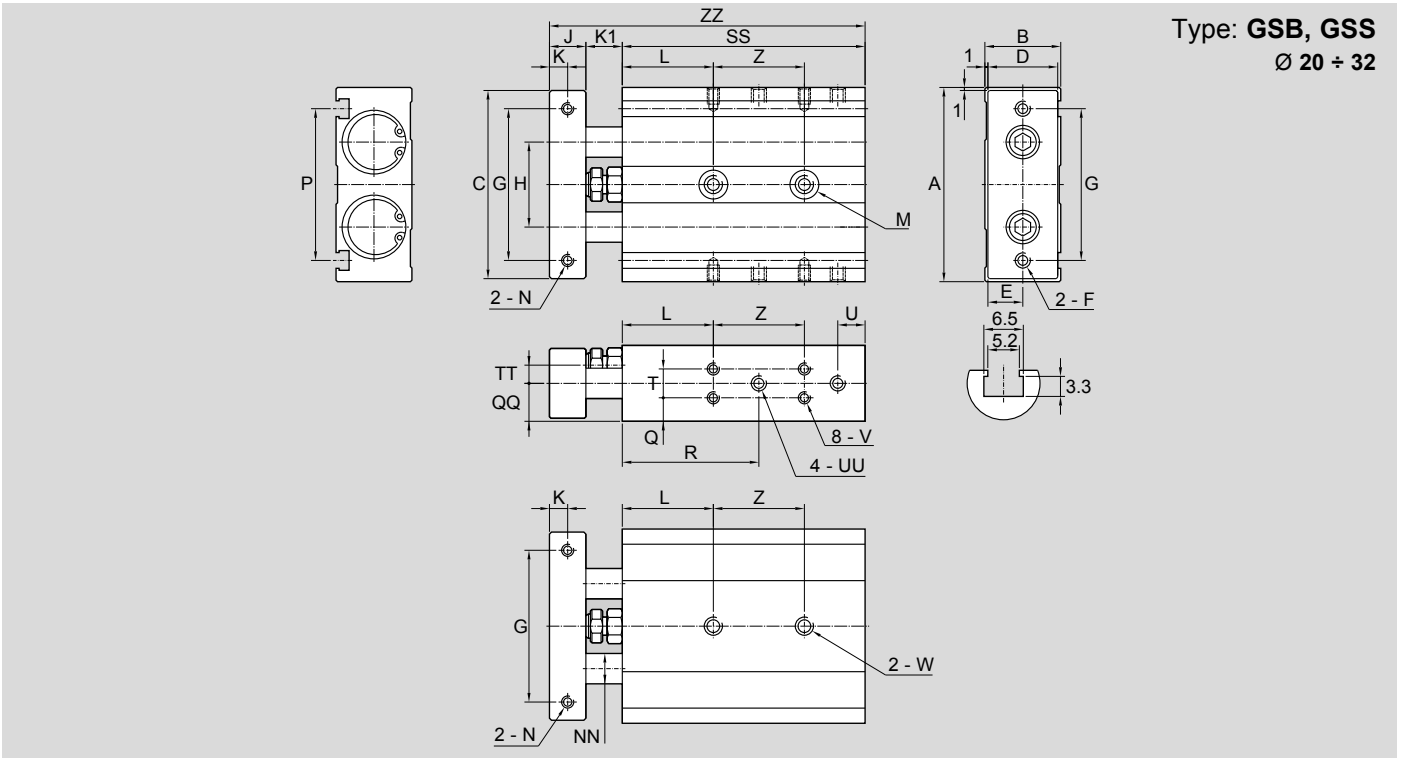
Ø (mm)	A	B	C	D	E	F	G	H	K	J	L	M	N	NN Ø	P	Q	QQ	R	W	V	UU
10	46	17	44	15	7.5	M4	35	19	4	8	20	Ø 3.4 - Ø 6 depth 3.3	M3 depth 5	Ø 6	32	8.5	7	30	M4 depth 8	M3 depth 4.5	M5 depth 4.5
16	58	20	56	18	9	M5	45	24	5	10	30	Ø 4.3 - Ø 8 depth 4.4	M4 depth 6	Ø 8	47	10	10	36	M5 depth 9	M4 depth 5	M5 depth 5.5

Ø (mm)	SS																	
	stroke 10	stroke 15	stroke 20	stroke 25	stroke 30	stroke 35	stroke 40	stroke 45	stroke 50	stroke 60	stroke 70	stroke 75	stroke 80	stroke 90	stroke 100	stroke 125	stroke 150	
10	65	70	75	80	85	90	95	100	105	-	-	-	-	-	-	-	-	-
16	70	75	80	85	90	95	100	105	110	120	130	135	140	150	160	185	210	

Ø (mm)	Z																	
	stroke 10	stroke 15	stroke 20	stroke 25	stroke 30	stroke 35	stroke 40	stroke 45	stroke 50	stroke 60	stroke 70	stroke 75	stroke 80	stroke 90	stroke 100	stroke 125	stroke 150	
10	30	30	30	30	40	40	40	40	40	-	-	-	-	-	-	-	-	
16	25	25	25	25	35	35	35	35	35	45	45	45	45	55	55	80	80	

Ø (mm)	ZZ																	
	stroke 10	stroke 15	stroke 20	stroke 25	stroke 30	stroke 35	stroke 40	stroke 45	stroke 50	stroke 60	stroke 70	stroke 75	stroke 80	stroke 90	stroke 100	stroke 125	stroke 150	
10	82	87	92	97	102	107	112	117	122	-	-	-	-	-	-	-	-	
16	89	94	99	104	109	114	119	124	129	139	149	154	159	169	179	204	229	

Dimensions



Type: **GSB, GSS**
Ø 20 ÷ 32

Ø (mm)	A	B	C	D	E	F	G	H	K	J	K1	L	M
20	64	25	62	23	11.5	M5	50	28	6	12	12	30	Ø 5.5 - Ø 9.5 depth 5.4
25	80	30	78	28	14	M6	60	35	6	12	12	30	Ø 6.8 - Ø 11 depth 6.3
32	98	38	96	36	18	M6	75	44	8	16	14	30	Ø 6.8 - Ø 11 depth 6.3

Ø (mm)	N	NN Ø	P	Q	QQ	R	T	TT	U	UU	V	W
20	M4 depth 7.5dp	10	50	7.75	12.5	45	9.5	6	9	M5	M4 depth 5.5	M6 depth 10dp
25	M5 depth 7.5dp	12	60	8.5	15	44.5	13	9	10	1/8"	M5 depth 7.5	M8 depth 16dp
32	M5 depth 10dp	16	74	9	19	52.5	20	11	12	1/8"	M5 depth 7.5	M8 depth 16dp

Ø (mm)	SS																	
	stroke 10	stroke 15	stroke 20	stroke 25	stroke 30	stroke 35	stroke 40	stroke 45	stroke 50	stroke 60	stroke 70	stroke 75	stroke 80	stroke 90	stroke 100	stroke 125	stroke 150	
20	80	85	90	95	100	105	110	115	120	130	140	145	150	160	170	195	220	
25	82	87	92	97	102	107	112	117	122	132	142	147	152	162	172	197	222	
32	92	97	102	107	112	117	122	127	132	142	152	157	162	172	182	207	232	

Ø (mm)	Z																	
	stroke 10	stroke 15	stroke 20	stroke 25	stroke 30	stroke 35	stroke 40	stroke 45	stroke 50	stroke 60	stroke 70	stroke 75	stroke 80	stroke 90	stroke 100	stroke 125	stroke 150	
20	30	30	30	30	40	40	40	40	40	60	60	60	60	60	60	85	85	
25	30	30	30	30	40	40	40	40	40	60	60	60	60	60	60	85	85	
32	40	40	40	40	50	50	50	50	50	70	70	70	70	70	70	95	95	

Ø (mm)	ZZ																	
	stroke 10	stroke 15	stroke 20	stroke 25	stroke 30	stroke 35	stroke 40	stroke 45	stroke 50	stroke 60	stroke 70	stroke 75	stroke 80	stroke 90	stroke 100	stroke 125	stroke 150	
20	104	109	114	119	124	129	134	139	144	154	164	169	174	184	194	219	244	
25	106	111	116	121	126	131	136	141	146	156	166	171	176	186	196	221	246	
32	122	127	132	137	142	147	152	157	162	172	182	187	192	202	212	237	262	

1 - CYLINDERS

Magnetic reed switch T groove ASV..

	For cylinder Ø mm	Code	Item	Cylinder matching
	6 ÷ 32	070946	ASV1C525	GSB GSS
		071863	ASV1C550	
		071864	ASV1C51K	
		071189	ASV1C5M8	
		073639	ASV4D225	
		070246	ASV4D2M8	
		070247	ASV7N2M8	
		070372	ASV7M2M8	
		072918	ASV1H525	